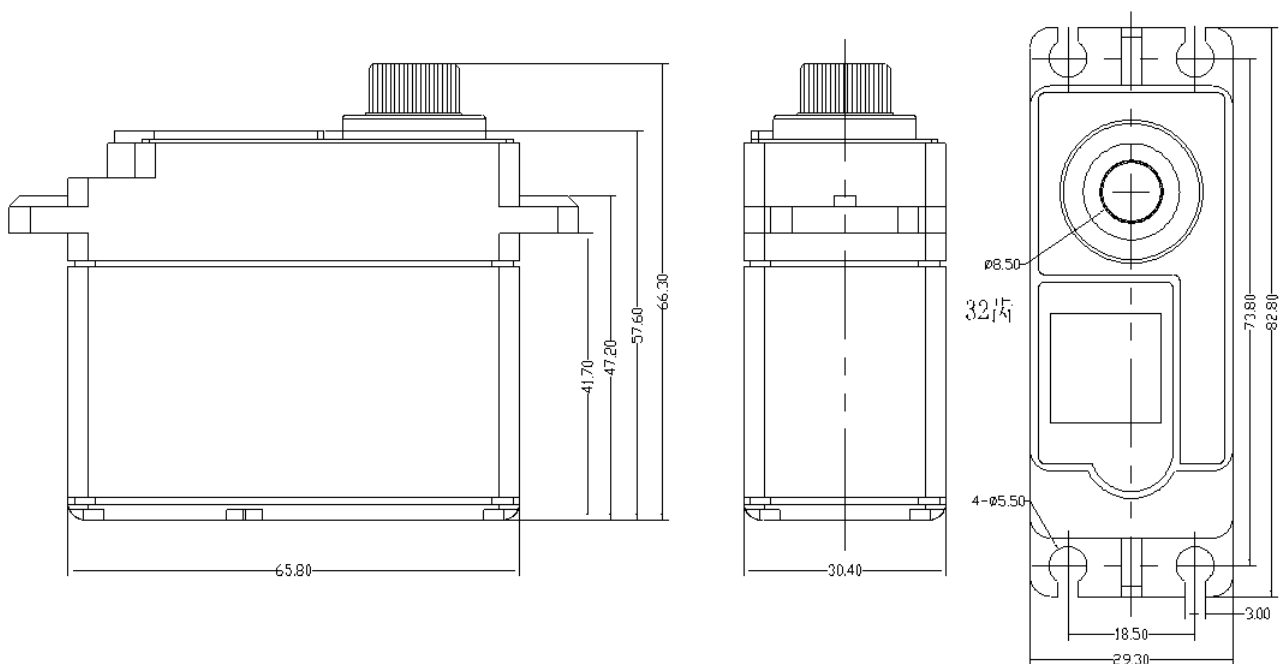


GS-1830DMG

Control System	Positive PWM control 1500 usec Neutral	
Operation Voltage Range	4.8V ~ 6.0V	
Operation Temperature Range	-20C° ~ +60C°	
Test Voltage:	At 4.8V	At 6.0V
Standing Torque	27.0kg.cm	30kg.cm
Speed	0.3 sec / 60 deg at no load	0.27sec / 60 deg at no load
Idle Current	800mA at stopped	1000mA at stopped
Running Current	4600mA at no load	5000mA at no load
Dead band width	4 usec	4 usec
Circle	15000 times	
Operation Travel	60° ± 10°	
Direction	Re-clock wise/ Pulse Travel 1500 to 2100 usec	
Driver type	FET drive	
Motor Type	Metal gear	
Potentiometer Type	Indirect drive	
Amplifier Type	Digital Control	
Dimensions	65.8*30.4*57.6 mm	
Weight:	198.5g without splined horn	
Ball Bearing	Double ball bearing	
Gear Material	Metal(Imported)	
Case Material	POM	
Connector Wire Length	300mm	
Connector Wire Gauge	22AWG heavy duty	
Wire Info (Brown)	Negative	
Wire Info (Red)	Positive	
Wire Info (Orange)	S Single	



GS-1830DMG

